



FIRST-PAK[™]

HP



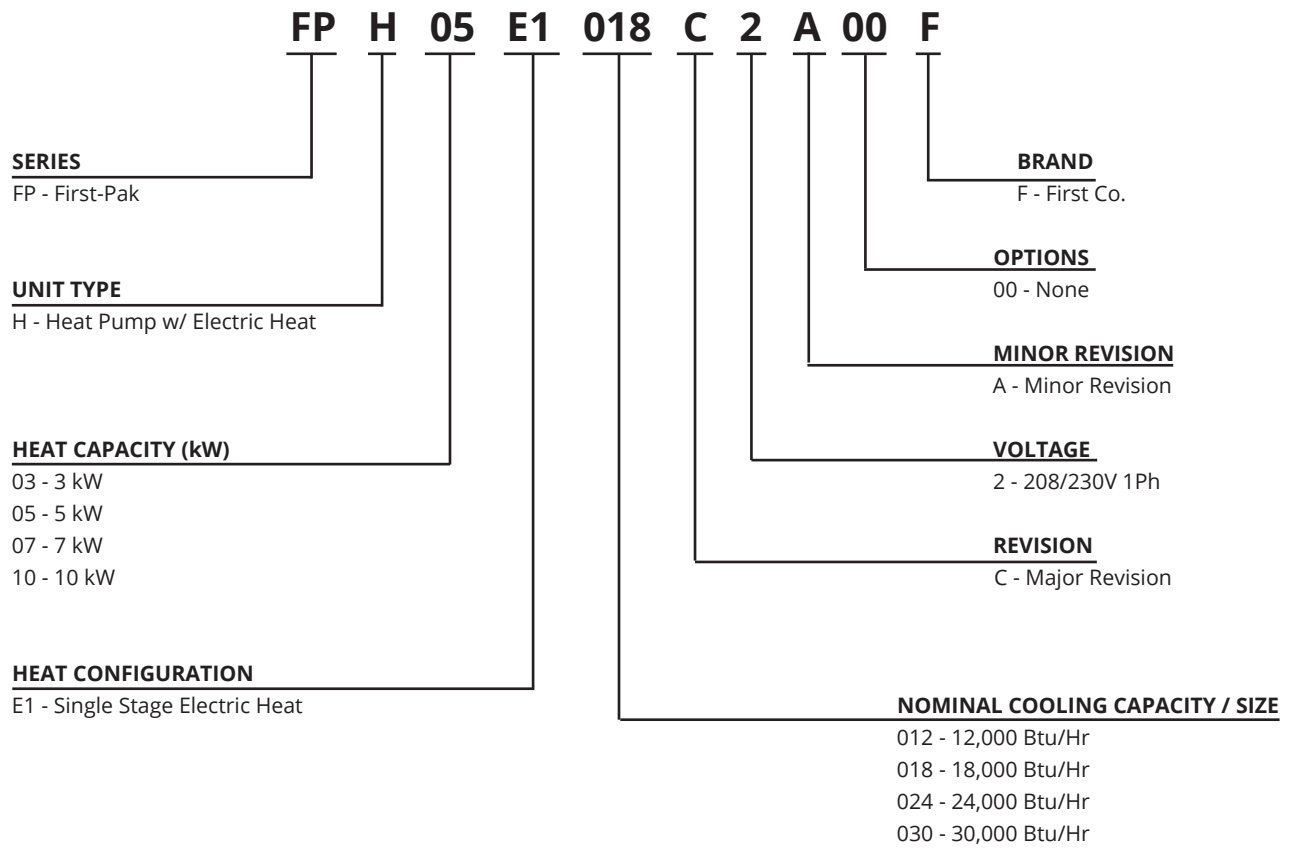
Single Package Vertical Heat Pump *with electric heat*

- 1.0 - 2.5 tons
- 3 - 10 kW electric heat
- 11.9 SEER2 & 6.3 HSPF2



To order through Chadwell Supply, please contact your local sales representative.

Nomenclature



PRODUCT DESCRIPTION

- Self-contained packaged units with electric cooling and electric heating
- Pre-wired and pre-charged with R410a refrigerant
- Eliminates the need for outdoor units and electrical, refrigerant lines
- FPH units are compatible replacements for Magic Pak PWC

STANDARD FEATURES

- Insulated chassis compartment to improve cooling performance, reduce noise and prevent sweating
- Blower collar locking mechanism to improve seal between cooling chassis and cabinet
- High efficiency ECM indoor blower motor with multiple speed taps for precise airflow selection
- High efficiency ECM outdoor fan motor to improve system efficiency
- Dual inlet indoor blower to lower fan rpm's, improve efficiency and reduce noise
- High efficiency single stage scroll and rotary compressors
- Double isolated compressor mount to lower compressor noise and vibration
- Larger evaporator coil with low face velocity for improved cooling performance
- Two drain pans with corrosion resistant coating to drain condensate in cooling and heating operations
- Factory installed condensate float switch for overflow protection
- Two thermal expansion valves (TXVs) for both cooling and heating to optimize performance
- Operates down to as low as 5°F ambient temperature
- Time-temperature defrost board with selectable defrost interval times (30, 60, 90 mins.) and test mode
- High and low pressure switch protection
- Single stage electric heat with automatic reset limit switch and non-resettable fuse link

SERVICEABILITY FEATURES

- All electrical components and control board are serviceable from front of the unit
- Slide out cooling chassis for ease of maintenance, service and replacement
- Easily accessible refrigeration service ports located on exterior of cooling chassis with temperature probe area
- Slide out electric heater for ease of maintenance, service and replacement

INSTALLED FEATURE

- Drain Pan Heater Kit pre-installed in each unit

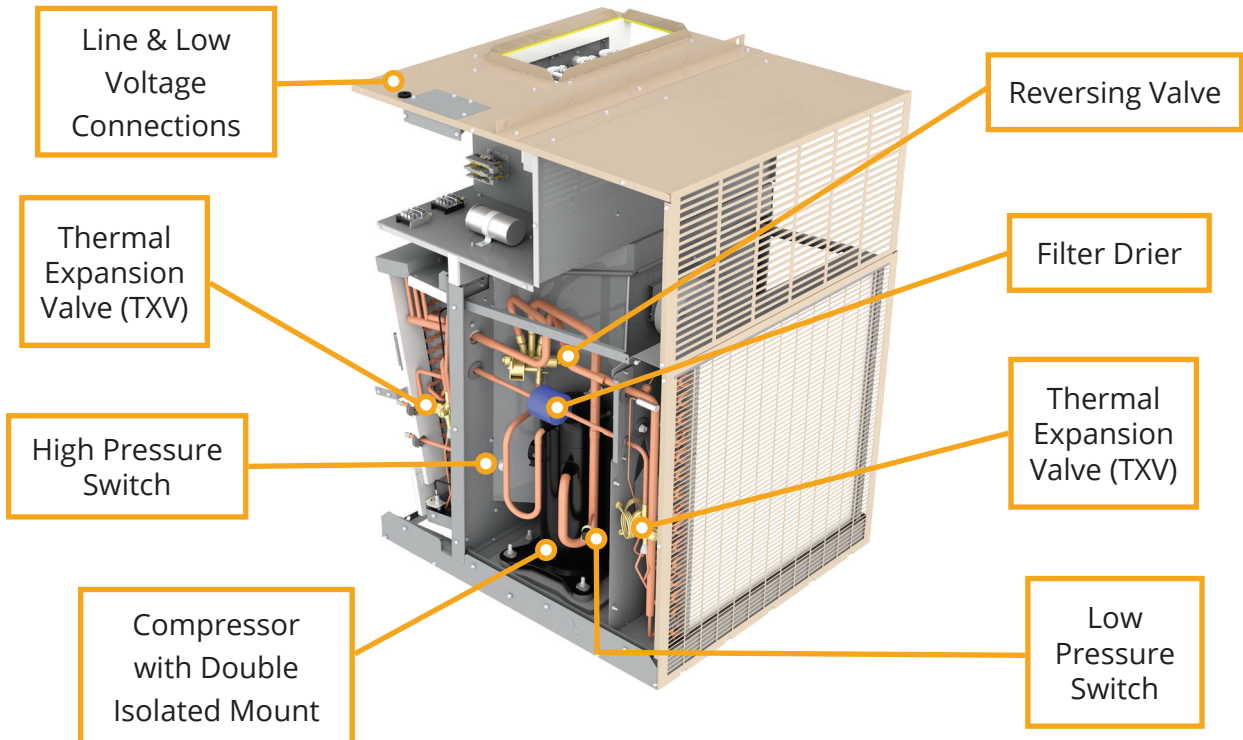
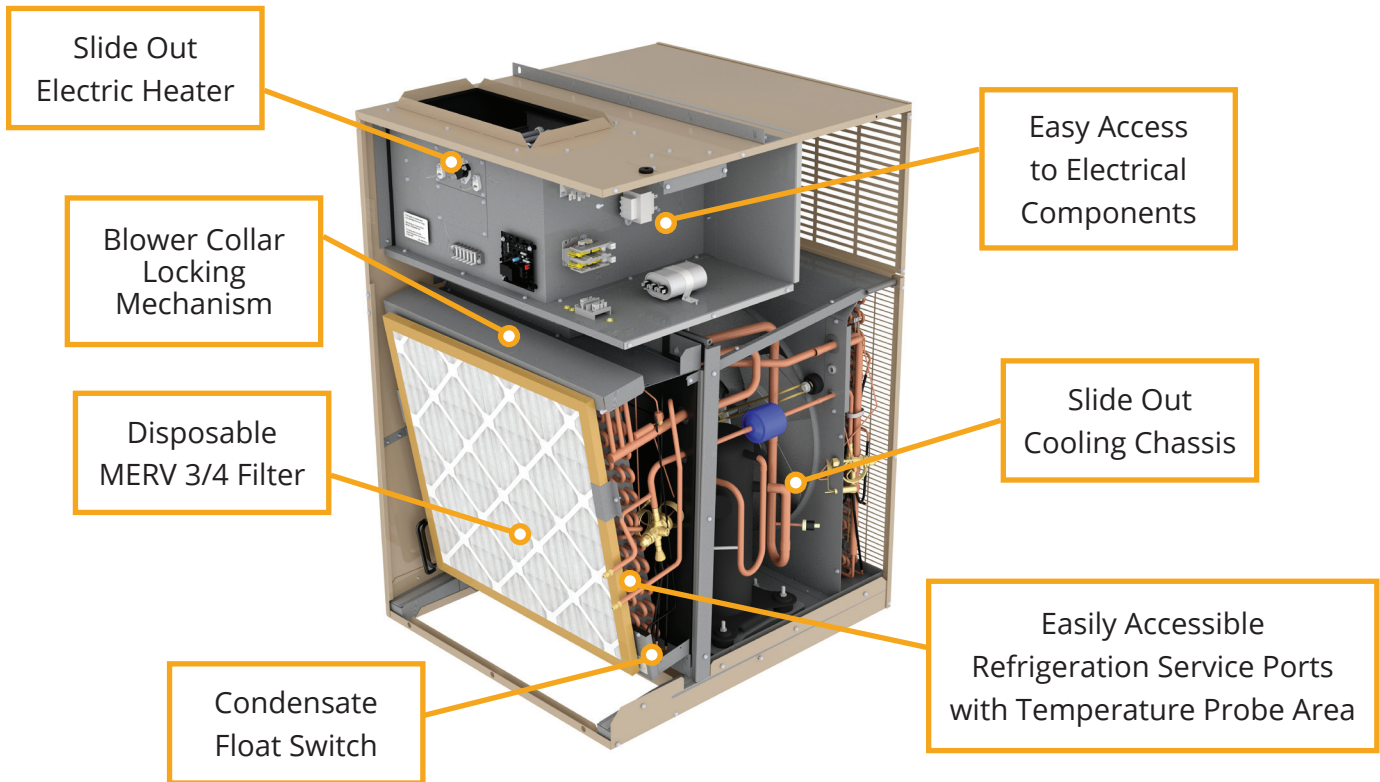
WARRANTY

- Five (5) years limited parts on compressor and all other covered components

ACCESSORIES

- Wall Sleeves
- Architectural Louvers
- Drain Pan Heater Kit - Wiring Harness 9KFPDH-01 (Field Installed Only)
- Top Adapter Kit - 9KFPADAPT (Field Installed Only)

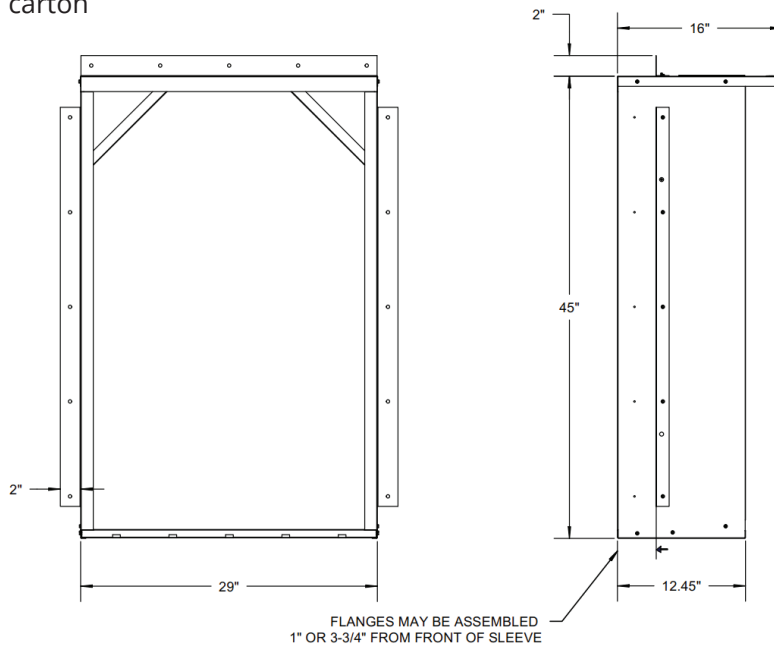
Features & Benefits



Accessories

WALL SLEEVES

- Part number 929-10
- Ships unassembled in carton



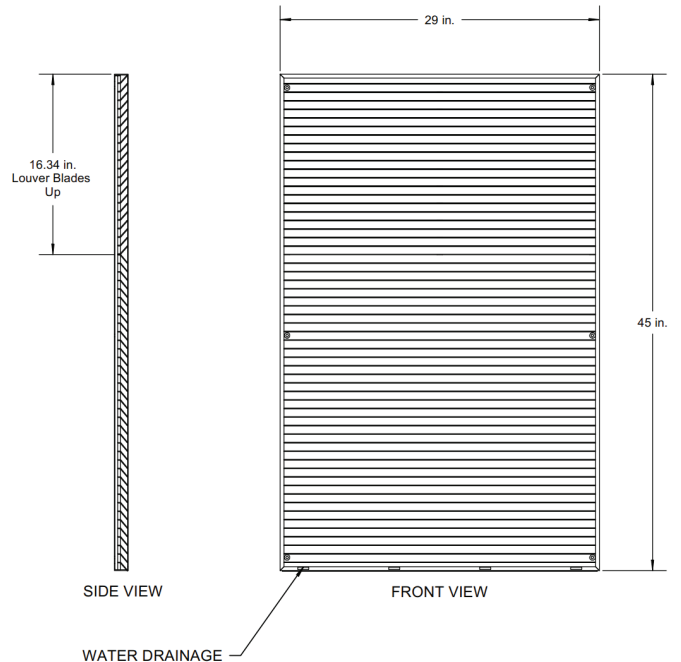
ALUMINUM ARCHITECTURAL LOUVERS (OPTIONAL)

- Part number G230A Clear Anodized Finish
- Part number G230S* Painted Finish

Standard Paint Colors

*Custom Color with paint matching.

*ASCOT WHITE (19)	*LIGHT STONE (43)	*SHELburnE (69)
*BONE WHITE (24)	*PORTLAND STONE (49)	*MEDIUM BRONZE (72)
*CORONADO RED (34)	*TAUPE (52)	*DARK BRONZE (75)
*FOREST GREEN (36)	*SAHARA TAN (65)	*STONE GRAY (78)
*HERRINGBONE (37)	*SANDSTONE (67)	*BLACK (89)



Physical Data

MODEL NUMBER	FPH03E1012C	FPH05E1012C	FPH07E1012C	FPH05E1018C	FPH07E1018C	FPH10E1018C
Compressor Type (Qty)	Rotary (1)	Rotary (1)	Rotary (1)	Scroll (1)	Scroll (1)	Scroll (1)
Factory Charge (R410A) lbs. [kg]	3.76 [1.71]	3.76 [1.71]	3.76 [1.71]	5.9 [2.68]	5.9 [2.68]	5.9 [2.68]
Compressor Capacitor	40MFD/370V	40MFD/370V	40MFD/370V	30MFD/370V	30MFD/370V	30MFD/370V
Outdoor Fan Motor HP [kW]	1/5 [.15]	1/5 [.15]	1/5 [.15]	1/3 [.25]	1/3 [.25]	1/3 [.25]
Indoor Fan Motor HP [kW]	1/4 [.17]	1/4 [.17]	1/4 [.17]	1/3 [.25]	1/3 [.25]	1/3 [.25]
Indoor Blower Size (D x W) in. [cm]	10 x 6 [25.4 x 15.24]					
Condenser Coil Dimensions (H x W) in. [cm]	26.46 x 22.25 [67.2 x 56.5]					
Evaporator Coil Dimensions (H x W) in. [cm]	23.15 x 22.25 [58.8 x 56.5]			24 x 22 [60.96 x 55.88]		
Electric Heat [kW] @240V*	3.0	5.0	7.0 (2 - 3.5)	5.0	7.0 (2 - 3.5)	10.0 (2 - 5.0)
Max. External Static Pressure in. w.c. [pa]	0.5 [125]					
Operating Weight lbs. [kg]	265 [120]	265 [120]	266 [121]	299 [136]	301 [136]	301 [136]
Shipping Weight lbs. [kg]	294 [133]	294 [133]	295 [134]	328 [149]	330 [149]	330 [149]

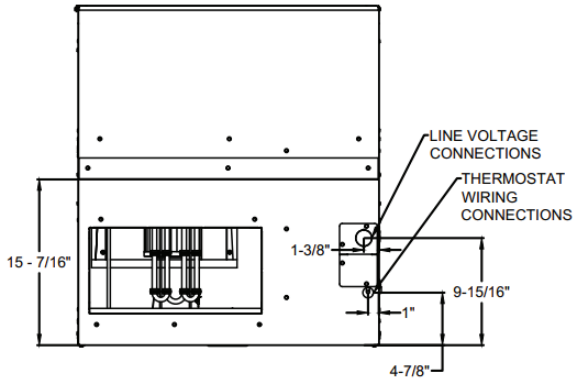
MODEL NUMBER	FPH05E1024C	FPH07E1024C	FPH10E1024C	FPH05E1030C	FPH07E1030C	FPH10E1030C
Compressor Type (Qty)	Scroll (1)	Scroll (1)	Scroll (1)	Scroll (1)	Scroll (1)	Scroll (1)
Factory Charge (R410A) lbs. [kg]	5.5 [2.49]	5.5 [2.49]	5.5 [2.49]	4.5 [2.04]	4.5 [2.04]	4.5 [2.04]
Compressor Capacitor	35MFD/370V	35MFD/370V	35MFD/370V	40MFD/370V	40MFD/370V	40MFD/370V
Outdoor Fan Motor HP [kW]	1/3 [.25]	1/3 [.25]	1/3 [.25]	1/3 [.25]	1/3 [.25]	1/3 [.25]
Indoor Fan Motor HP [kW]	1/2 [.37]	1/2 [.37]	1/2 [.37]	1/2 [.37]	1/2 [.37]	1/2 [.37]
Indoor Blower Size (D x W) in. [cm]	10 x 6 [25.4 x 15.24]					
Condenser Coil Dimensions (H x W) in. [cm]	26.46 x 22.25 [67.2 x 56.5]					
Evaporator Coil Dimensions (H x W) in. [cm]	24 x 22 [60.96 x 55.88]					
Electric Heat [kW] @240V*	5.0	7.0 (2 - 3.5)	10.0 (2 - 5)	5.0	7.0 (2 - 3.5)	10.0 (2 - 5)
Max. External Static Pressure in. w.c. [pa]	0.5 [125]					
Operating Weight lbs. [kg]	305 [138]	306 [139]	306 [139]	306 [139]	308 [140]	308 [140]
Shipping Weight lbs. [kg]	334 [151]	335 [152]	335 [152]	335 [152]	337 [153]	337 [153]

* Electric heat is single stage and wired for single W signal

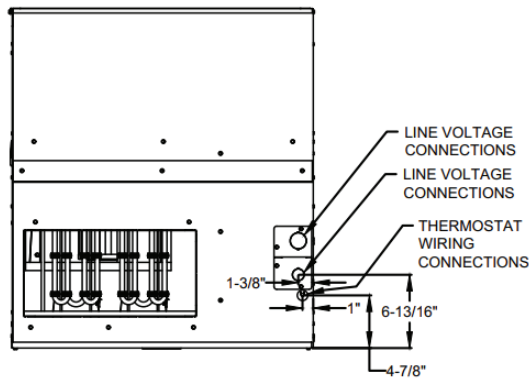
Physical Data

Unit Dimensions

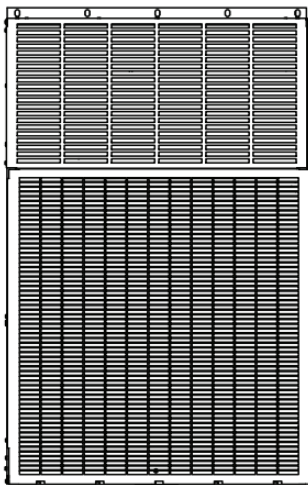
TOP VIEW
3kW - 5kW
CABINET WITH SINGLE
POWER INPUT



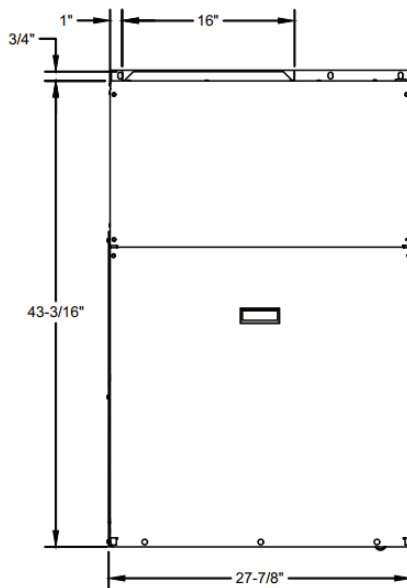
TOP VIEW
7kW - 10kW
CABINET WITH TWO
POWER INPUT



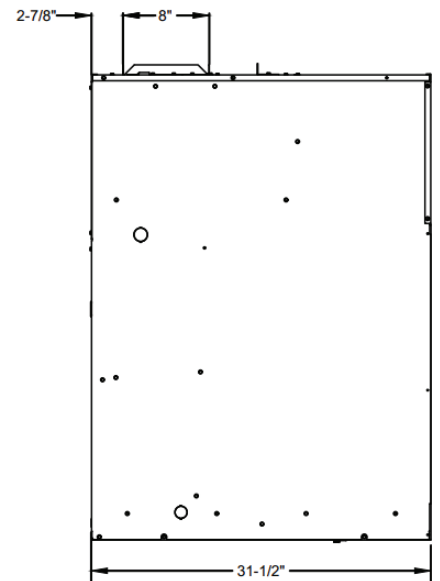
REAR VIEW



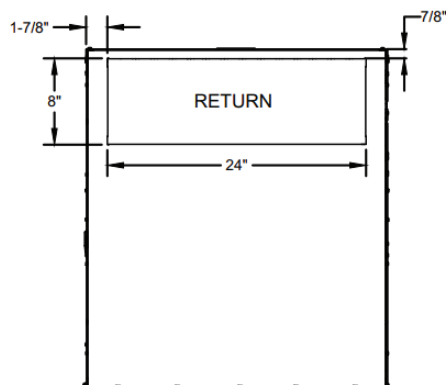
FRONT VIEW



SIDE VIEW



BOTTOM VIEW



Electrical Data

MODEL NUMBER	VOLTAGE PH-HZ	COMPRESSOR		OUTDOOR MOTOR		INDOOR MOTOR		MIN. CIRCUIT AMPACITY (MCA)				MAX. OVERCURRENT PROTECTION (MOP)				MIN. VOLT.	MAX. VOLT.
		RLA	LRA	FLA	HP	RLA	HP	CIRCUIT 1* (L1-L2)		CIRCUIT 2* (L3-L4)		CIRCUIT 1* (L1-L2)		CIRCUIT 2* (L3-L4)			
								240V	208V	240V	208V	240V	208V	240V	208V		
FPH03E1012C	208/230-1-60	4.7	26	1.9	1/5	2.3	1/4	25.7	23.6			30	25			197	252
FPH05E1012C	208/230-1-60	4.7	26	1.9	1/5	2.3	1/4	36.1	32.6			40	35			197	252
FPH07E1012C	208/230-1-60	4.7	26	1.9	1/5	2.3	1/4	46.5	41.7			50	45			197	252
FPH05E1018C	208/230-1-60	9.0	56.3	2.8	1/3	2.8	1/3	42.9	39.4			45	40			197	252
FPH07E1018C	208/230-1-60	9.0	56.3	2.8	1/3	2.8	1/3	36.5	31.6	16.9	16.9	40	35	25	25	197	252
FPH10E1018C	208/230-1-60	9.0	56.3	2.8	1/3	2.8	1/3	52.1	45.1	16.9	16.9	60	50	25	25	197	252
FPH05E1024C	208/230-1-60	10.7	55	2.8	1/3	4.1	1/2	46.3	42.8			50	45			197	252
FPH07E1024C	208/230-1-60	10.7	55	2.8	1/3	4.1	1/2	36.5	31.6	20.3	20.3	40	35	30	30	197	252
FPH10E1024C	208/230-1-60	10.7	55	2.8	1/3	4.1	1/2	52.1	45.1	20.3	20.3	60	50	30	30	197	252
FPH05E1030C	208/230-1-60	11.7	71.3	2.8	1/3	4.1	1/2	47.6	44.1			50	50			197	252
FPH07E1030C	208/230-1-60	11.7	71.3	2.8	1/3	4.1	1/2	36.5	31.6	21.5	21.5	40	35	30	30	197	252
FPH10E1030C	208/230-1-60	11.7	71.3	2.8	1/3	4.1	1/2	52.1	45.1	21.5	21.5	60	50	30	30	197	252

* Circuits 1 and 2 require separate sets of power wires connected to the unit, each backed by an independent circuit breaker

Circuit 1 is used exclusively to power electric heaters

Refer to wiring diagram in FPH IOM for additional details

Wire size should be determined in accordance with National Electrical Codes

Units are rated at 208/230V, but MOP & MCA values are calculated at 208/240V

RLA - Rated Load Amps

LRA - Locked Rotor Amps

FLA - Full Load Amps

HP - Horsepower

Rated Cooling & Heating Performance

MODEL NUMBER	COOLING				HEATING		ELECTRIC HEAT			
	NET CAPACITY (BTU/H)	EER2	SEER2	S/T*	NET CAPACITY AT 47°F (BTU/H)	HSPF2	240V		208V	
							kW	BTU/H	kW	BTU/H
FPH03E1012C	10,800	10.5	11.9	0.86	10,900	6.3	3	10,236	2.3	7,688
FPH05E1012C							5	17,060	3.8	12,814
FPH07E1012C							7	23,884	5.3	17,940
FPH05E1018C	16,500	10.0	11.9	0.85	16,000	6.3	5	17,060	3.8	12,814
FPH07E1018C							7	23,884	5.3	17,940
FPH10E1018C							10	34,120	7.5	25,628
FPH05E1024C	22,800	10.0	11.9	0.77	21,800	6.3	5	17,060	3.8	12,814
FPH07E1024C							7	23,884	5.3	17,940
FPH10E1024C							10	34,120	7.5	25,628
FPH05E1030C	26,200	10.0	11.9	0.78	24,000	6.3	5	17,060	3.8	12,814
FPH07E1030C							7	23,884	5.3	17,940
FPH10E1030C							10	34,120	7.5	25,628

*S/T is not a rated value

All units tested in accordance with AHRI 210/240 2023 (SEER2)

Extended Heating Performance

Heat Pump Only

MODEL NUMBER	OUTDOOR TEMPERATURE - DB/WB (°F)							
	5/3*		17/15*		35/33*		47/43	
	NET CAPACITY (BTU/H)	TOTAL POWER (kW)	NET CAPACITY (BTU/H)	TOTAL POWER (kW)	NET CAPACITY (BTU/H)	TOTAL POWER (kW)	NET CAPACITY (BTU/H)	TOTAL POWER (kW)
FPH**E1012C	4,208	0.78	5,401	0.85	7,943	0.90	11,000	0.93
FPH**E1018C	7,059	1.29	9,101	1.32	12,074	1.32	17,330	1.40
FPH**E1024C	8,088	1.78	11,167	1.86	14,250	1.81	21,689	1.95
FPH**E1030C	11,000	2.14	14,675	2.18	17,280	2.16	25,371	2.29

Performance data is based on nominal CFM and 70°F indoor dry bulb

*May experience some loss in capacity.

*This data is to be used as reference values only and does not constitute a rating or a guarantee that the installed system will perform as indicated

Combined Extended Heating Performance

Heat Pump & Electric Heat

MODEL NUMBER	OUTDOOR TEMPERATURE - DB/WB (°F)							
	5/3*				17/15*			
	230V		208V		230V		208V	
	NET CAPACITY (BTU/H)	TOTAL POWER (kW)	NET CAPACITY (BTU/H)	TOTAL POWER (kW)	NET CAPACITY (BTU/H)	TOTAL POWER (kW)	NET CAPACITY (BTU/H)	TOTAL POWER (kW)
FPH03E1012C	13,609	3.54	12,056	3.08	14,802	3.60	13,249	3.15
FPH05E1012C	19,876	5.37	17,037	4.54	21,069	5.44	18,230	4.61
FPH07E1012C	26,143	7.21	22,155	6.04	27,336	7.28	23,348	6.11
FPH05E1018C	22,727	5.88	19,888	5.05	24,769	5.91	21,930	5.08
FPH07E1018C	28,994	7.72	25,006	6.55	31,036	7.75	27,048	6.58
FPH10E1018C	38,395	10.47	32,649	8.79	40,437	10.50	34,691	8.82
FPH05E1024C	23,756	6.37	20,917	5.54	26,835	6.45	23,996	5.62
FPH07E1024C	30,023	8.21	26,035	7.04	33,102	8.28	29,114	7.12
FPH10E1024C	39,424	10.96	33,678	9.28	42,503	11.04	36,757	9.36
FPH05E1030C	26,668	6.73	23,829	5.90	30,343	6.77	27,504	5.94
FPH07E1030C	32,935	8.57	28,947	7.40	36,610	8.61	32,622	7.44
FPH10E1030C	42,336	11.32	36,590	9.64	46,011	11.36	40,265	9.68

MODEL NUMBER	OUTDOOR TEMPERATURE - DB/WB (°F)							
	35/33*				47/43			
	230V		208V		230V		208V	
	NET CAPACITY (BTU/H)	TOTAL POWER (kW)	NET CAPACITY (BTU/H)	TOTAL POWER (kW)	NET CAPACITY (BTU/H)	TOTAL POWER (kW)	NET CAPACITY (BTU/H)	TOTAL POWER (kW)
FPH03E1012C	17,344	3.65	15,791	3.20	20,401	3.69	18,848	3.23
FPH05E1012C	23,611	5.49	20,772	4.66	26,668	5.52	23,829	4.69
FPH07E1012C	29,878	7.33	25,890	6.16	32,935	7.36	28,947	6.19
FPH05E1018C	27,742	5.92	24,903	5.08	32,998	6.00	30,159	5.16
FPH07E1018C	34,009	7.75	30,021	6.58	39,265	7.83	35,277	6.66
FPH10E1018C	43,410	10.51	37,664	8.82	48,666	10.59	42,920	8.90
FPH05E1024C	29,918	6.40	27,079	5.57	37,357	6.55	34,518	5.71
FPH07E1024C	36,185	8.24	32,197	7.07	43,624	8.38	39,636	7.21
FPH10E1024C	45,586	10.99	39,840	9.31	53,025	11.14	47,279	9.45
FPH05E1030C	32,948	6.75	30,109	5.92	41,039	6.88	38,200	6.05
FPH07E1030C	39,215	8.59	35,227	7.42	47,306	8.72	43,318	7.55
FPH10E1030C	48,616	11.34	42,870	9.66	56,707	11.47	50,961	9.79

Performance data is based on nominal CFM and 70°F indoor dry bulb

*May experience some loss in capacity.

*This data is to be used as reference values only and does not constitute a rating or a guarantee that the installed system will perform as indicated

Extended Cooling Performance Data

MODEL NUMBER	INDOOR TEMPERATURE DB/WB (°F)	OUTDOOR TEMPERATURE - DB (°F)								
		65			75			85		
		BTU/H	kW*	S/T	BTU/H	kW*	S/T	BTU/H	kW*	S/T
FPH**E1012C	75/57	11,405	0.74	1.00	10,958	0.81	1.00	10,472	0.89	1.00
	75/63	12,095	0.73	0.85	11,522	0.81	0.87	10,925	0.89	0.89
	80/67	13,061	0.72	0.81	12,457	0.80	0.84	11,815	0.89	0.86
	85/72	14,496	0.72	0.74	13,717	0.80	0.76	13,015	0.89	0.78
FPH**E1018C	75/57	17,755	1.19	1.00	17,026	1.32	1.00	16,252	1.46	1.00
	75/63	19,117	1.20	0.81	18,232	1.33	0.84	17,189	1.47	0.87
	80/67	20,468	1.20	0.78	19,417	1.33	0.81	18,446	1.48	0.84
	85/72	22,208	1.21	0.72	21,077	1.34	0.74	19,865	1.49	0.76
FPH**E1024C	75/57	22,869	1.64	1.00	21,995	1.81	1.00	21,048	2.00	1.00
	75/63	25,070	1.66	0.76	23,896	1.83	0.78	22,660	2.02	0.79
	80/67	26,947	1.67	0.73	25,692	1.85	0.75	24,357	2.04	0.77
	85/72	29,350	1.68	0.67	24,163	1.86	0.60	23,366	2.06	0.61
FPH**E1030C	75/57	27,042	1.99	1.00	25,906	2.18	1.00	24,729	2.39	1.00
	75/63	29,828	2.02	0.76	28,325	2.21	0.77	26,767	2.42	0.79
	80/67	31,963	2.04	0.73	30,330	2.24	0.74	28,671	2.46	0.76
	85/72	34,643	2.08	0.67	32,905	2.28	0.68	31,113	2.50	0.70

MODEL NUMBER	INDOOR TEMPERATURE DB/WB (°F)	OUTDOOR TEMPERATURE - DB (°F)								
		95			105			115		
		BTU/H	kW*	S/T	BTU/H	kW*	S/T	BTU/H	kW*	S/T
FPH**E1012C	75/57	9,950	0.98	1.00	9,390	1.07	1.00	8,791	1.17	1.00
	75/63	10,306	0.98	0.90	9,632	1.08	0.93	8,926	1.17	0.95
	80/67	11,100	0.99	0.86	10,446	1.08	0.90	9,692	1.18	0.93
	85/72	12,267	0.99	0.81	11,488	1.09	0.83	10,677	1.20	0.86
FPH**E1018C	75/57	15,429	1.61	1.00	14,548	1.79	1.00	13,607	1.98	1.00
	75/63	16,138	1.62	0.89	14,996	1.79	0.93	13,786	1.98	0.96
	80/67	17,214	1.65	0.85	16,061	1.81	0.90	14,779	2.00	0.93
	85/72	18,694	1.65	0.80	17,392	1.82	0.84	16,057	2.01	0.87
FPH**E1024C	75/57	20,027	2.21	1.00	18,942	2.45	1.00	17,767	2.71	1.00
	75/63	21,347	2.23	0.81	19,995	2.46	0.84	18,519	2.71	0.87
	80/67	22,984	2.28	0.77	21,469	2.48	0.81	19,944	2.73	0.84
	85/72	22,427	2.28	0.62	23,304	2.50	0.74	21,644	2.75	0.76
FPH**E1030C	75/57	23,496	2.63	1.00	22,238	2.91	1.00	20,962	3.22	1.00
	75/63	25,178	2.66	0.81	23,634	2.94	0.84	22,038	3.25	0.86
	80/67	26,932	2.70	0.78	25,360	2.98	0.81	23,641	3.29	0.84
	85/72	29,311	2.75	0.72	27,459	3.03	0.74	25,725	3.35	0.77

* Total power input of the unit

Performance data is simulated based on the rated value of each model and is calculated based on nominal CFM and .3 external static pressure. This data is to be used as reference values only and does not constitute a rating or a guarantee that the installed system will perform as indicated.

Blower Performance

MODEL NUMBER	BLOWER SPEED TAP	SCFM @ EXTERNAL STATIC PRESSURE (IN.W.C)									
		0.1		0.2		0.3		0.4		0.5	
		WATT	SCFM	WATT	SCFM	WATT	SCFM	WATT	SCFM	WATT	SCFM
FPH03E1012C	T1	62	595	66	554	69	516	76	489	81	442
	T2 ^H	67	612	71	574	75	537	81	511	86	465
	T3	189	907	197	886	202	860	209	837	214	815
	T4 ^C	157	850	165	828	169	799	177	777	183	754
FPH05E1012C	T1	62	595	66	554	69	516	76	489	81	442
	T2 ^H	107	735	114	706	117	674	125	651	131	620
	T3	174	882	183	861	187	834	195	811	200	789
	T4 ^C	157	850	165	828	169	799	177	777	183	754
FPH07E1012C	T1	64	597	71	571	74	530	81	507	85	459
	T2 ^H	208	934	216	911	222	885	228	862	231	835
	T3	189	906	197	882	203	854	210	832	214	807
	T4 ^C	157	849	165	824	170	793	178	772	184	748
FPH05E1018C	T1	59	539	61	491	64	447	67	409	65	376
	T2 ^H	83	623	89	599	93	564	97	527	103	502
	T3	101	677	109	658	112	626	117	593	126	571
	T4 ^C	133	758	142	740	146	708	152	683	161	661
	T5	155	807	165	785	168	753	176	733	181	709
FPH07E1018C	T1	59	539	61	491	64	447	67	409	65	376
	T2 ^H	83	623	89	599	93	564	97	527	103	502
	T3	101	677	109	658	112	626	117	593	126	571
	T4 ^C	133	758	142	740	146	708	152	683	161	661
	T5	155	807	165	785	168	753	176	733	181	709
FPH10E1018C	T1	59	539	61	491	64	447	67	409	65	376
	T2 ^H	172	841	182	815	185	783	194	764	196	738
	T3	210	902	218	871	221	838	232	818	223	785
	T4 ^C	133	758	142	740	146	708	152	683	161	661
	T5	155	807	165	785	168	753	176	733	181	709

^C Factory-set default tap cooling and heat pump

^H Factory-set default tap electric heat

Tap T1 is fan only operation (all models)

Tap T2 is electric heat only operation (FPH**E1012)

T2 and T3 are electric heat only operation (FPH**E1018 - 030)

Tap T3 and T4 are cooling and heat pump operation; (FPH**E1012)

T4 and T5 are cooling and heat pump operation (FPH**E1018 - 030)

Blower performance data based on dry coil at 70°F DB EAT with standard 1" clean air filter

SCFM - standard cubic feet per minute

Blower Performance

continued

MODEL NUMBER	BLOWER SPEED TAP	SCFM @ EXTERNAL STATIC PRESSURE (IN. W.C.)									
		0.1		0.2		0.3		0.4		0.5	
		WATT	SCFM	WATT	SCFM	WATT	SCFM	WATT	SCFM	WATT	SCFM
FPH05E1024C	T1	63	626	69	597	74	557	83	523	91	483
	T2 ^H	66	640	72	611	78	572	87	538	96	499
	T3	105	768	114	744	119	710	131	681	138	646
	T4 ^C	176	919	187	898	189	868	196	840	199	806
	T5	209	974	219	954	219	924	224	894	223	858
FPH07E1024C	T1	62	622	69	595	74	556	83	519	91	482
	T2 ^H	65	636	72	610	78	571	87	535	95	498
	T3	105	768	114	746	120	707	131	679	138	648
	T4 ^C	177	922	187	902	190	863	197	838	199	810
	T5	211	977	220	956	221	917	225	891	224	862
FPH10E1024C	T1	62	622	69	595	74	556	83	519	91	482
	T2 ^H	140	849	149	829	154	790	164	765	169	736
	T3	166	902	176	882	180	843	188	818	191	790
	T4 ^C	177	922	187	902	190	863	197	838	199	810
	T5	211	977	220	956	221	917	225	891	224	862
FPH05E1030C	T1	76	677	83	653	89	614	99	581	107	546
	T2 ^H	119	804	128	783	134	744	145	717	151	687
	T3	156	881	165	861	170	822	178	798	182	769
	T4 ^C	241	1023	249	1001	248	961	249	932	245	902
	T5	310	1116	313	1086	305	1043	297	1001	284	964
FPH07E1030C	T1	76	677	83	653	89	614	99	581	107	546
	T2 ^H	119	804	128	783	134	744	145	717	151	687
	T3	156	881	165	861	170	822	178	798	182	769
	T4 ^C	241	1023	249	1001	248	961	249	932	245	902
	T5	310	1116	313	1086	305	1043	297	1001	284	964
FPH10E1030C	T1	76	677	83	653	89	614	99	581	107	546
	T2 ^H	140	849	149	829	154	790	164	765	169	736
	T3	177	922	187	902	190	863	197	838	199	810
	T4 ^C	241	1023	249	1001	248	961	249	932	245	902
	T5	310	1116	313	1086	305	1043	297	1001	284	964

^C Factory-set default tap cooling and heat pump

^H Factory-set default tap electric heat

Tap T1 is fan only operation (all models)

Tap T2 is electric heat only operation (FPH**E1012)

T2 and T3 are electric heat only operation (FPH**E1018 - 030)

Tap T3 and T4 are cooling and heat pump operation; (FPH**E1012)

T4 and T5 are cooling and heat pump operation (FPH**E1018 - 030)

Blower performance data based on dry coil at 70°F DB EAT with standard 1" clean air filter

SCFM - standard cubic feet per minute

In keeping with its policy of continuous progress and product improvement, First Co. reserves the right to make changes without notice. Refer to Installation, Operation and Maintenance (IOM) manual for maintenance and servicing information located at www.firstco.com/first-pak/





FIRST CO. P.O. BOX 270969 - DALLAS, TEXAS 75227
PH. (214) 388-5751 | FAX (214) 388-2255
WWW.FIRSTCO.COM
MAY 2024